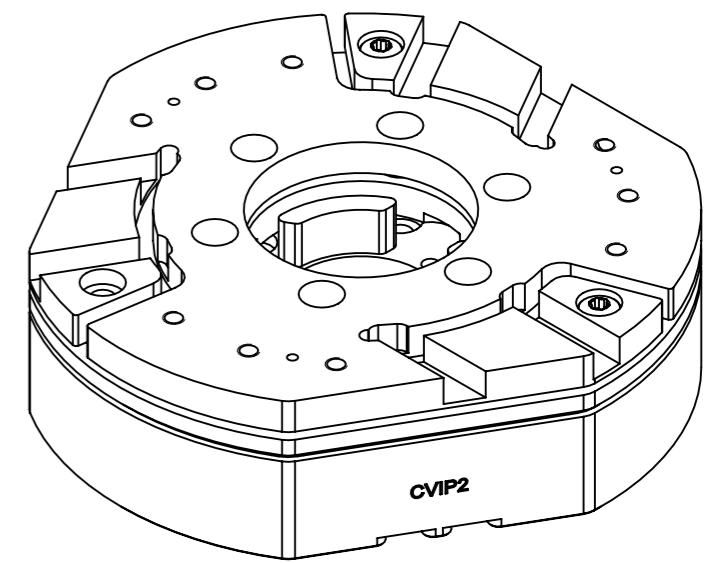
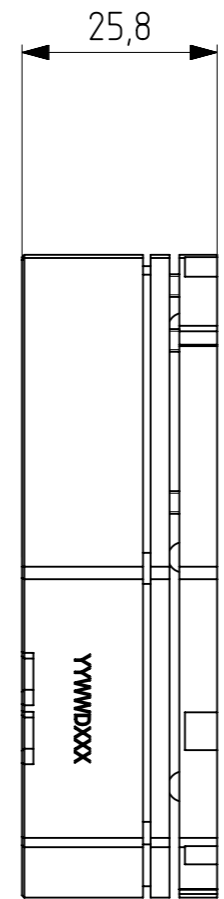
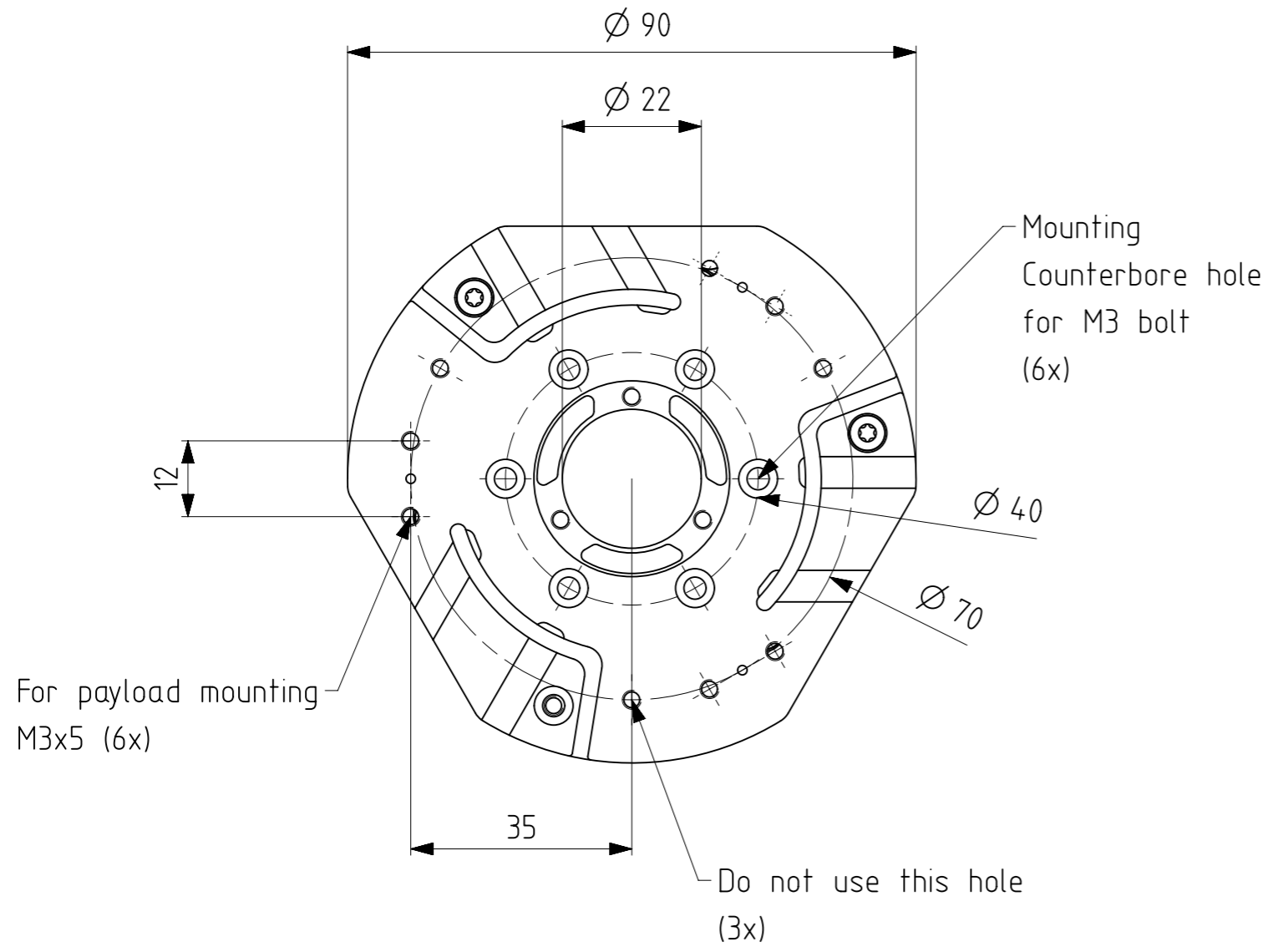




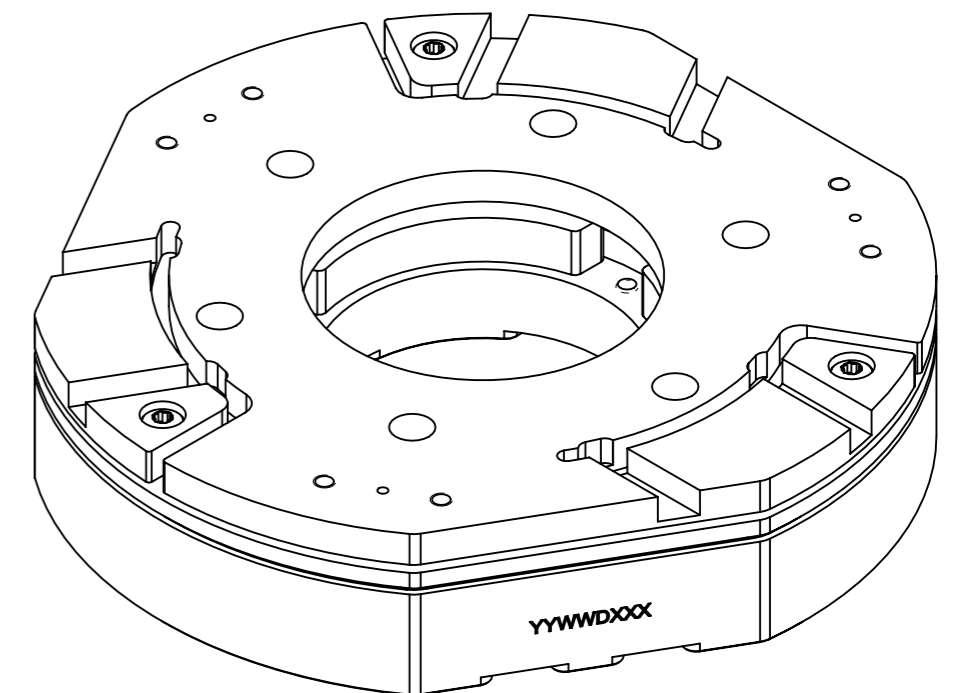
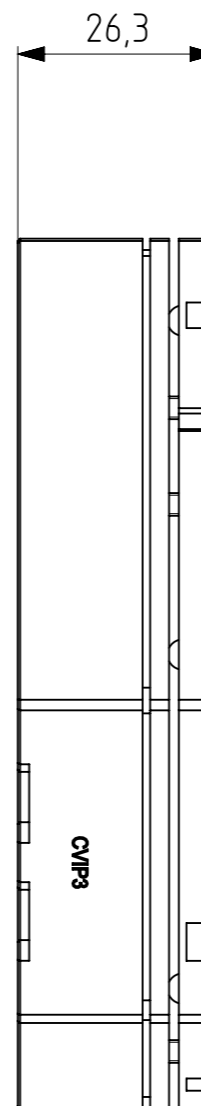
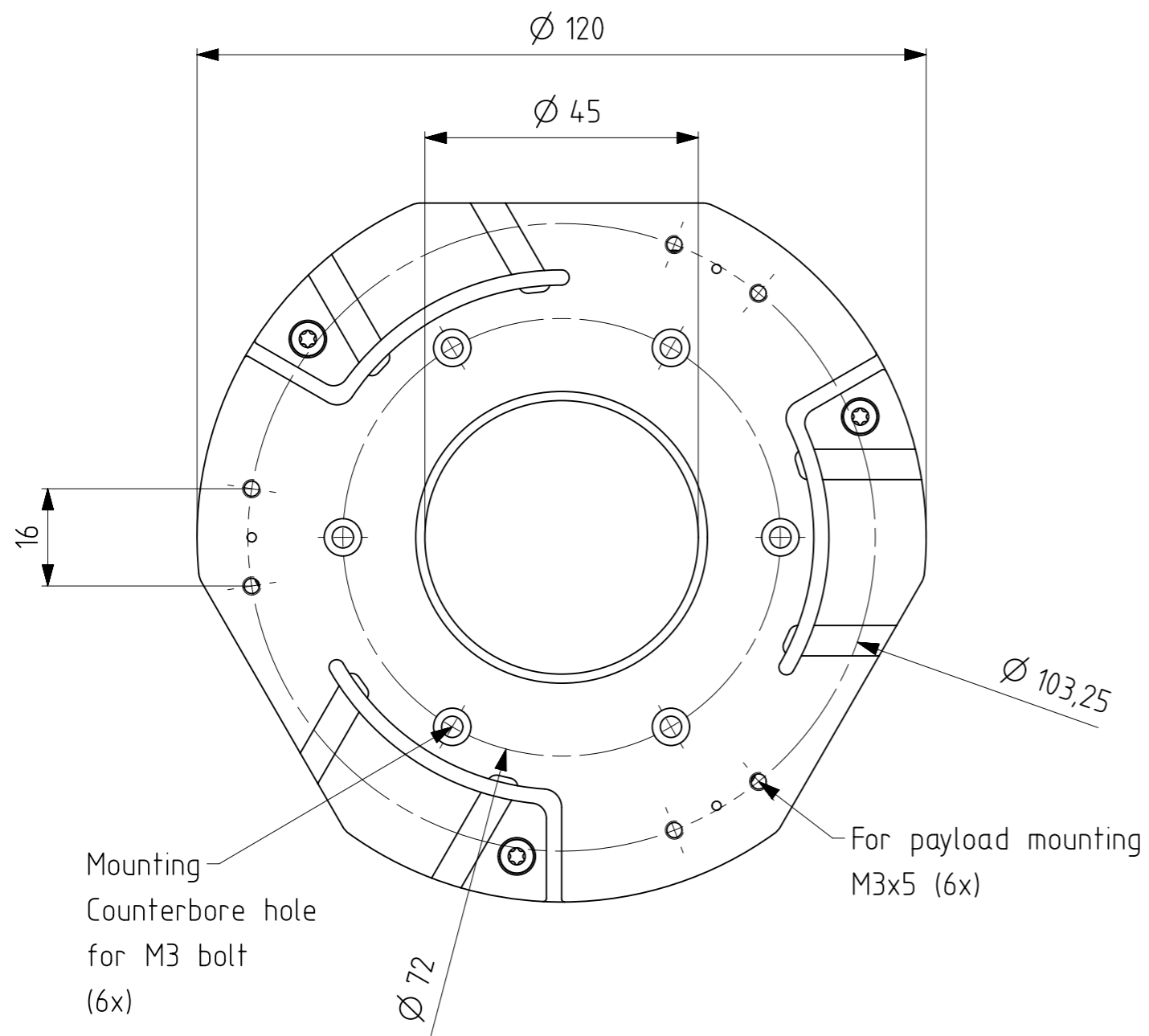
PROJ	SCALE	PART NAME	PART NUMBER
 1st ANGLE	2:1	CVIP1	001245
2016-JAN-06	MM	JANSSEN PRECISION ENGINEERING 	A3 SHEET 1 OF 1

All rights are reserved. Reproduction in whole or in part is prohibited without the written consent of the copyright owner. JPE disclaims any liability with regard to the accuracy, completeness, and timeliness of the information provided.



PROJ	SCALE	PART NAME	PART NUMBER
	1:1	CVIP2	001244
2016-JAN-05	MM	JANSSEN PRECISION ENGINEERING 	A3 SHEET 1 OF 1

All rights are reserved. Reproduction in whole or in part is prohibited without the written consent of the copyright owner. JPE disclaims any liability with regard to the accuracy, completeness, and timeliness of the information provided.



PROJ	SCALE	PART NAME	PART NUMBER
	1:1	CVIP3	001246
2016-JAN-08	MM	JANSSEN PRECISION ENGINEERING 	A3 SHEET 1 OF 1

All rights are reserved. Reproduction in whole or in part is prohibited without the written consent of the copyright owner. JPE disclaims any liability with regard to the accuracy, completeness, and timeliness of the information provided.