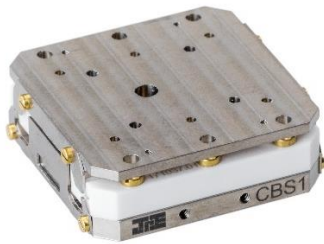


# CBS10 – CRYO BEARING STAGE 10



## Features

- Non-magnetic
- Spring preloaded roller guides; play free
- 10 mK to 375K, vacuum compatible
- xyz configurable
- Compact and robust design with large stroke
- Integrated scanner functionality
- Position feedback option -RLS
- Increased driving force option -HF
- Ceramic roller guides

## Description / Applications

The CBS10 is a non-magnetic and robust linear stage for all-round applications in a cryo-vacuum, which will run both horizontally and vertically. The combination of long-range stepping motion followed by short range scanning offers sub-nm positioning over the full range. The full ceramic guides are spring preloaded, ensuring play free and smooth running from room temperature to cryogenic temperatures.

## Specifications

General info	
Type of motion	Linear, both horizontal and vertical
Dimensions	See drawings below
Operational environmental conditions	20 mK to 375 K, ambient to UHV
Weight	30 g, -RLS adds 3 g
Stepping motion	
Travel range	10 mm
Velocity @ 300 K	3 mm/s
Velocity @ 4 K	1 mm/s
Minimal step size @ 300 K	150 nm
Minimal step size @ 4 K	50 nm
Drive voltage	-30 V to 120 V
Scanning motion	
Scanning range @ 300 K	10 $\mu$ m
Scanning range @ 4 K	2 $\mu$ m
Minimal step size	Sub-nm
Drive voltage @ 300 K	-30 V to 120 V
Drive voltage @ 4 K	-30 V to 120 V
Forces and load capacity	
Driving force @ 300 K	1 N, increased to 2 N for -HF model
Driving force @ 4 K	1 N, increased to 2 N for -HF model
Load capacity @ horizontal motion	2 kg
Load capacity @ vertical motion	60 g, increased to 200 g for -HF model
Materials	
Main body	Titanium
Piezo actuator	Low voltage multilayer, ceramic insulated
Linear guides	Ceramic
Model specific information	
-RLS	Resistive Linear Sensor, typical resolution 100 nm RMS
-HF	High Force, to increase driving force to 2 N
-V, -HV or -UHV	Level of vacuum compatibility, see the glossary on the homepage for details
Electronics CPSC	
Controller Base Cabinet	CAB
Driver for stepping and scanning	CADM
Position readout	RSM

## Ordering Information

### Available Models

CBS10-V	Cryo Bearing Stage 10
CBS10-RLS-V	Cryo Bearing Stage 10-Resistive Linear Sensor
CBS10-HF-V	Cryo Bearing Stage 10-High Force
CBS10-RLS-HF-V	Cryo Bearing Stage 10-Resistive Linear Sensor-High Force

### Available Options

-HV	Upgrade to High Vacuum compatibility
-UHV	Upgrade to Ultra High Vacuum compatibility

### Accessories

I1-CBS10	Interface bracket for CBS10, to add z axis on x or xy
AKM1	Accessory Kit Mechanical 1
AKE1	Accessory Kit Electrical 1

### Mechanical and electrical information

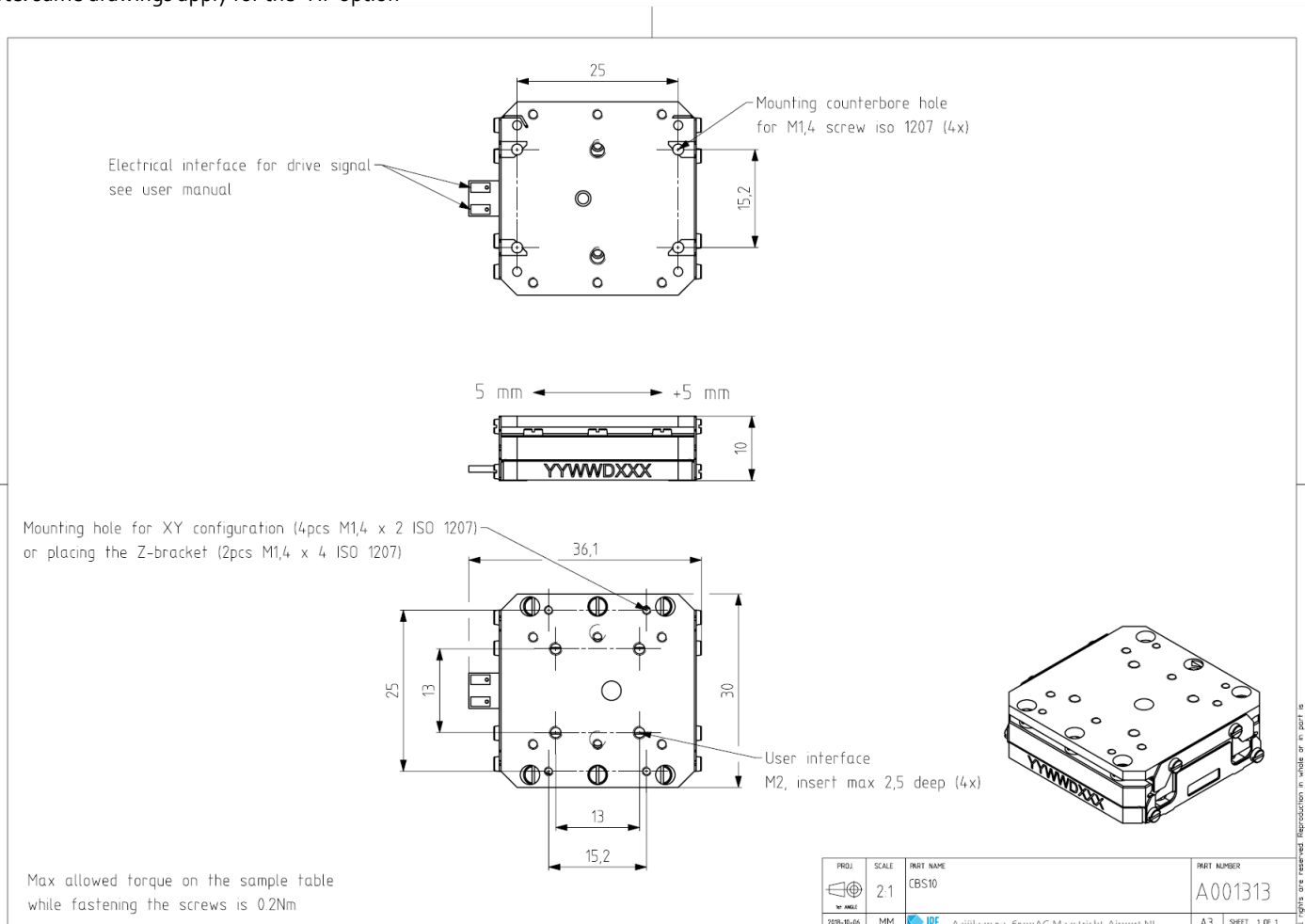
Download 3D step files and manuals from:  
<https://www.jpe-innovations.com/cryo-nano-products/>

### Contact

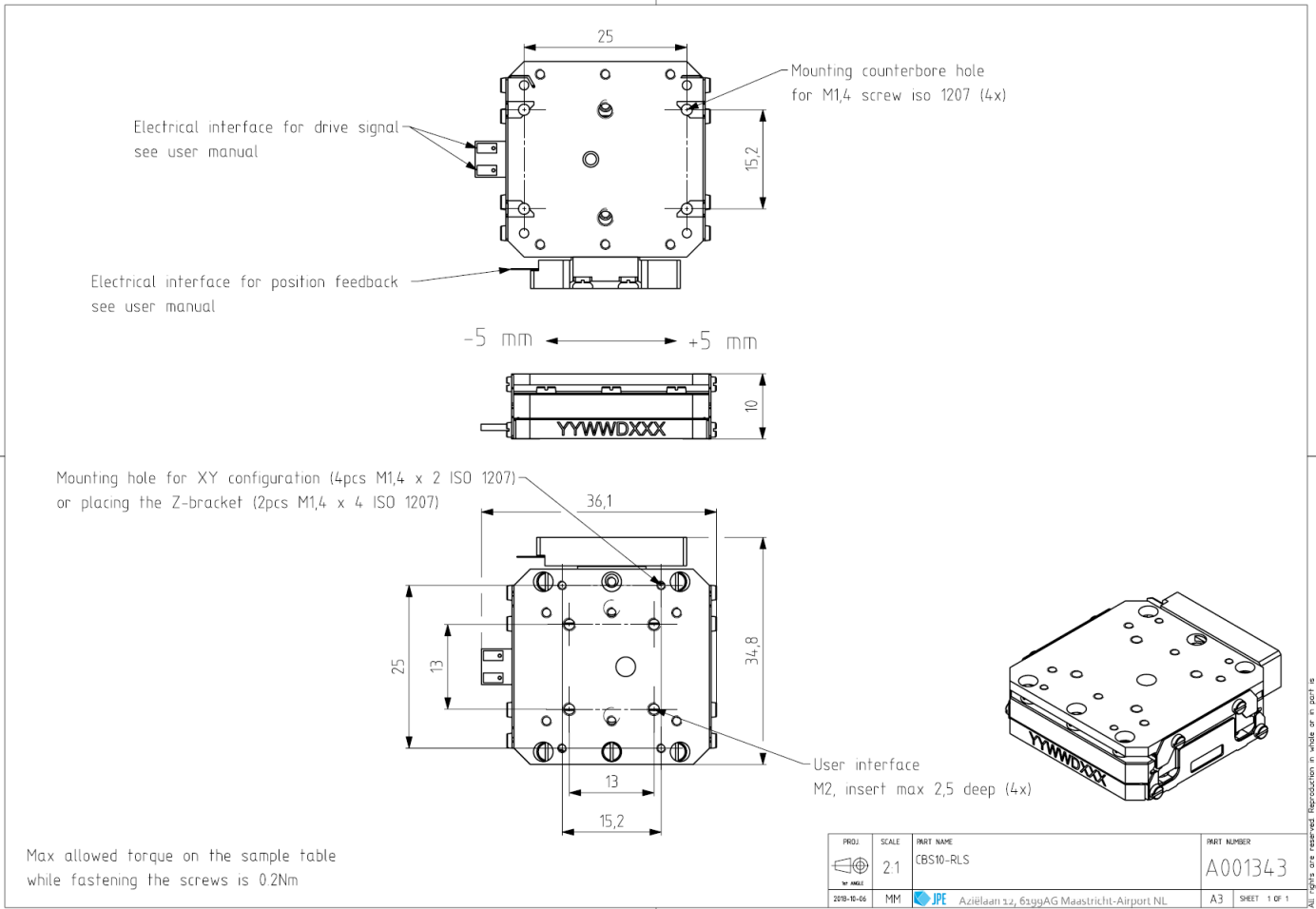
For quotations, specials, or engineering services, please contact us at:  
<https://www.jpe-innovations.com/contact/>

## Drawings

Note: same drawings apply for the -HF option



STATUS: RELEASED



PROJ 2018-10-04	SCALE 2:1	PART NAME CBS10-RLS	PART NUMBER A001343
MM	JPE	Aziëlaan 12, 6199AG Maastricht-Airport NL	A3 SHEET 1 OF 1

All rights are reserved. Reproduction in whole or in part is prohibited without the prior written consent of JPE. JPE disclaims any liability with regard to the accuracy, completeness, and timeliness of the information provided.

STATUS: RELEASED