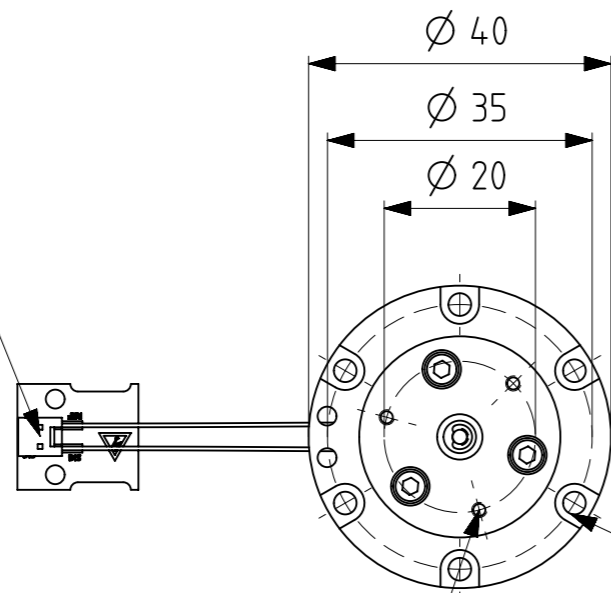
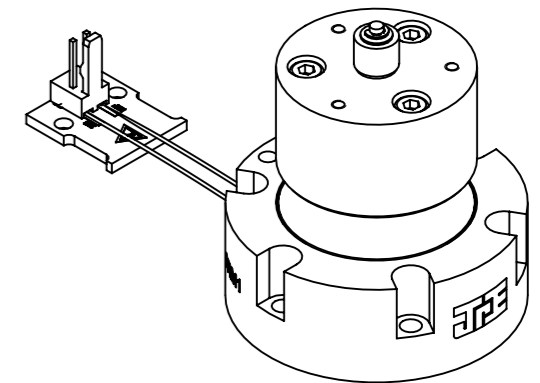


Electrical interface
See user manual



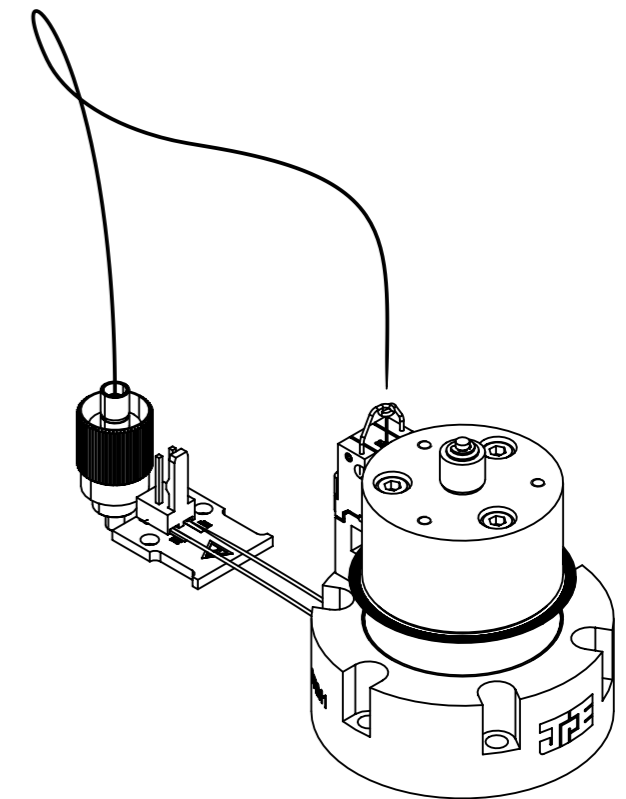
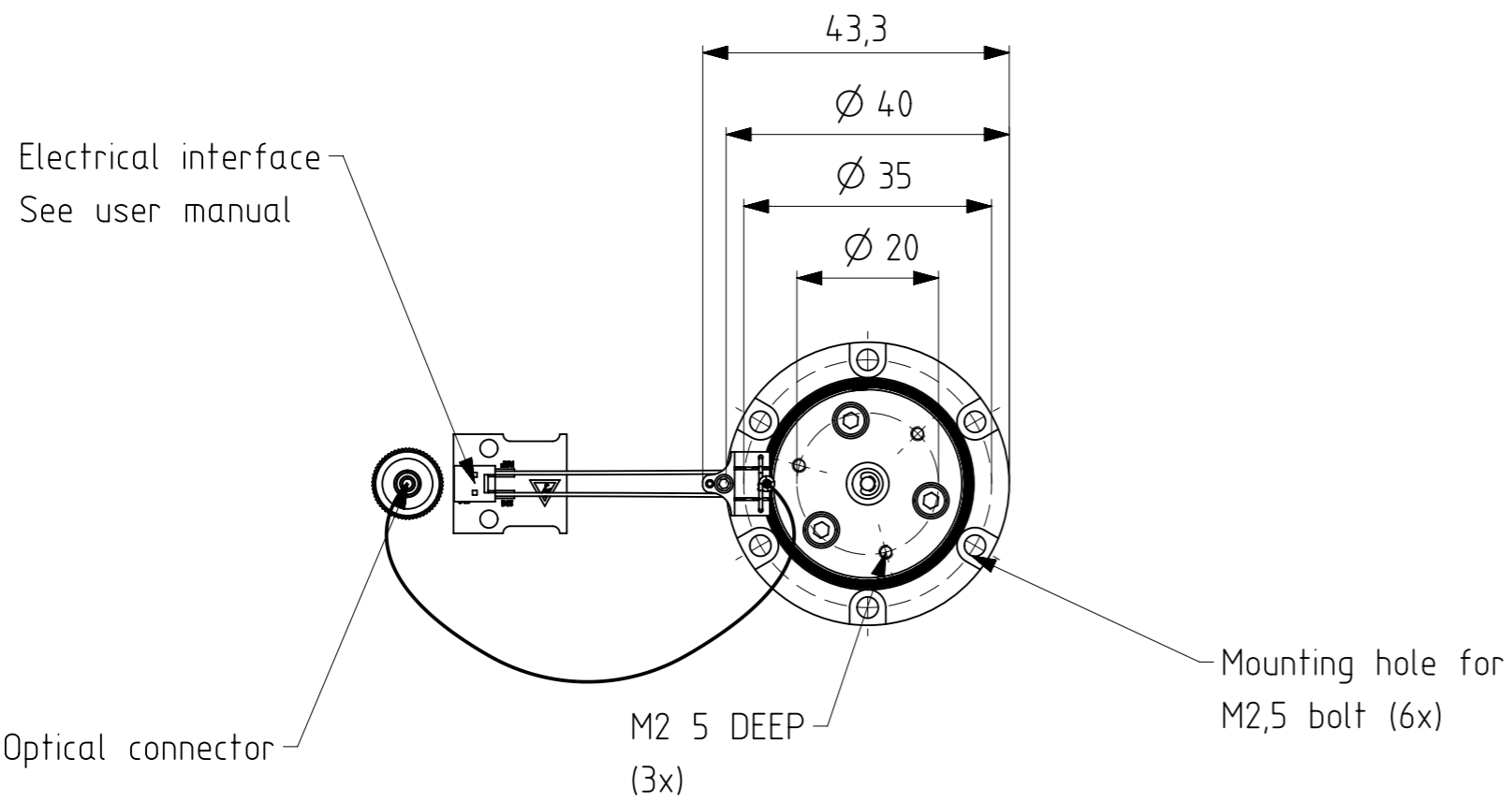
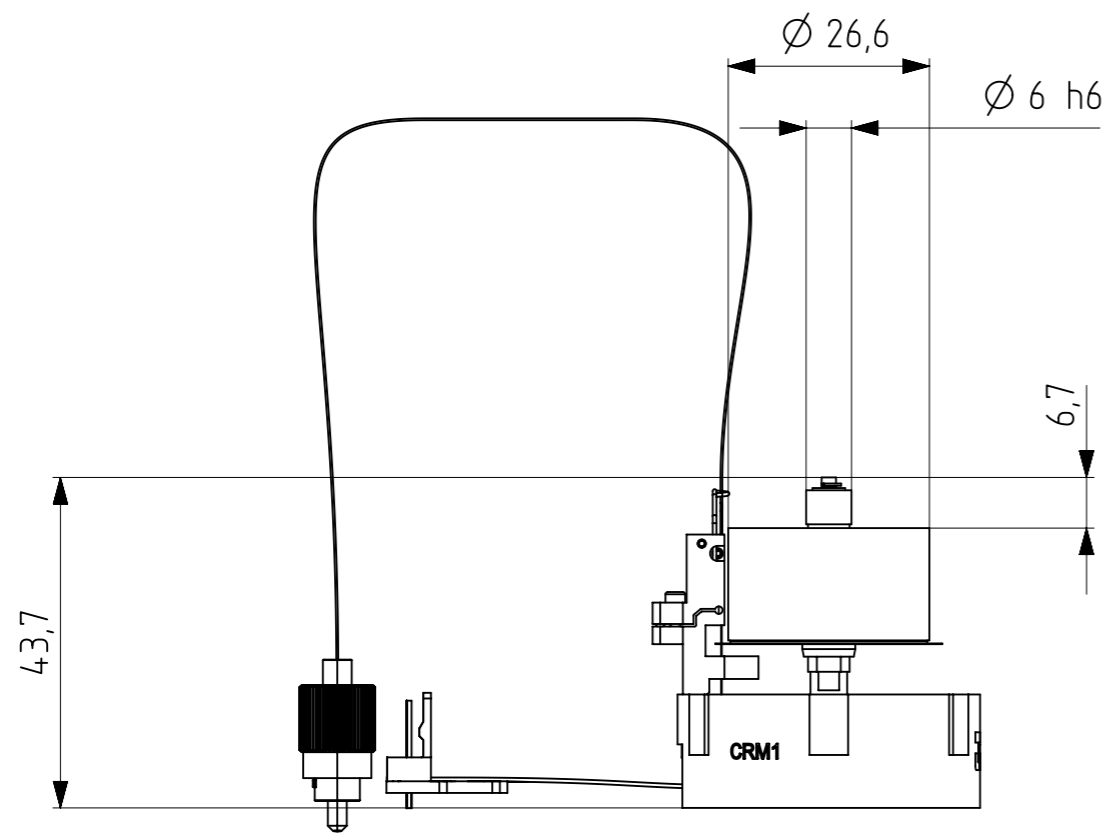
M2 5 DEEP
(3x)

Mounting hole for
M2,5 bolt (6x)



PROJ	SCALE	PART NAME	PART NUMBER
 1st ANGLE 2017-JAN-11	1:1	CRM1	001293
JANSSEN PRECISION ENGINEERING 			A3 SHEET 1 OF 1

All rights are reserved. Reproduction in whole or in part is prohibited without the written consent of the copyright owner. JPE disclaims any liability with regard to the accuracy, completeness, and timeliness of the information provided.



PROJ	SCALE	PART NAME	PART NUMBER
2017-JAN-11	1:1	CRM1-COE	001217
JANSSEN PRECISION ENGINEERING			A3 SHEET 1 OF 1

All rights are reserved. Reproduction in whole or in part is prohibited without the written consent of the copyright owner. JPE disclaims any liability with regard to the accuracy, completeness, and timeliness of the information provided.