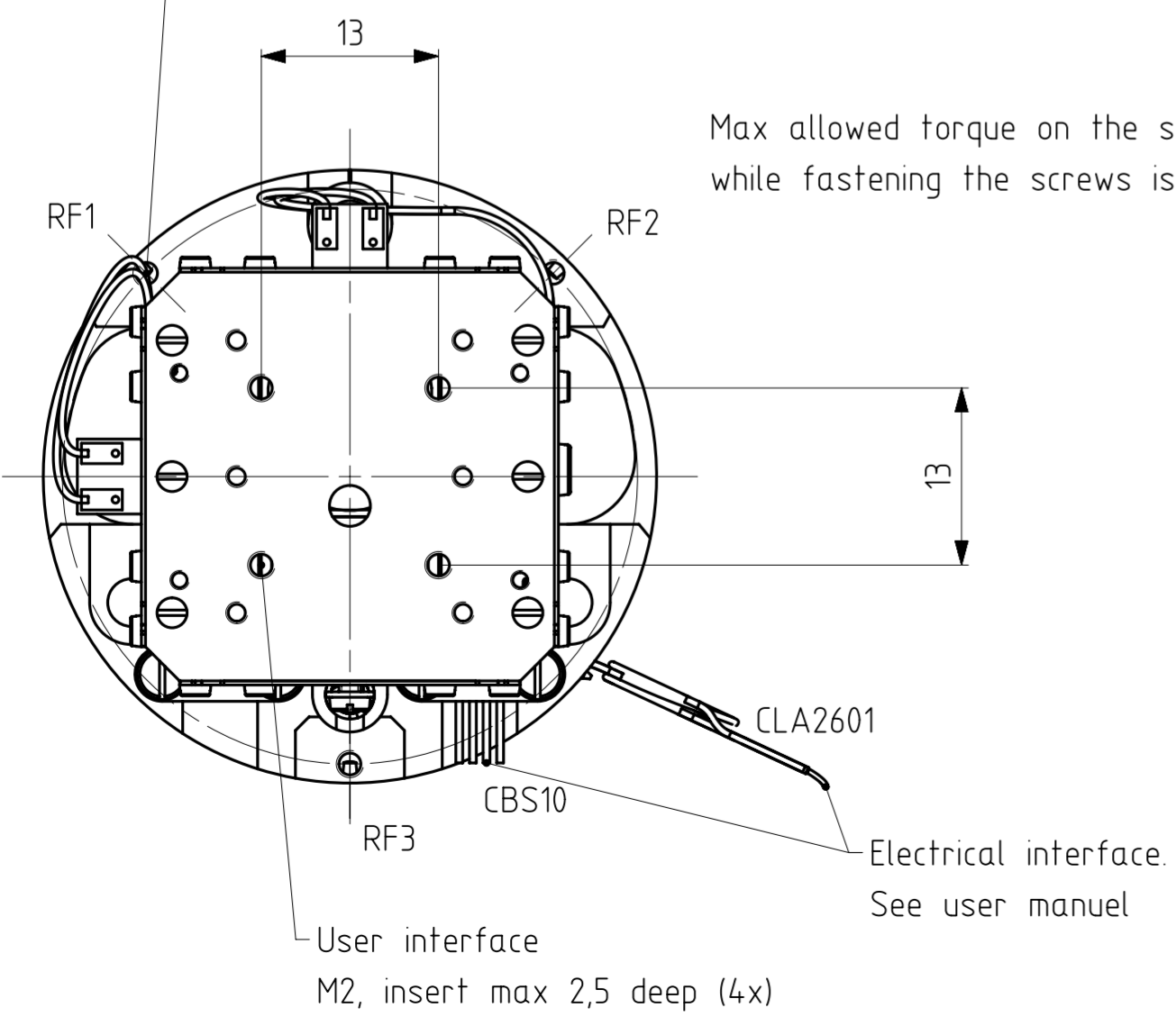
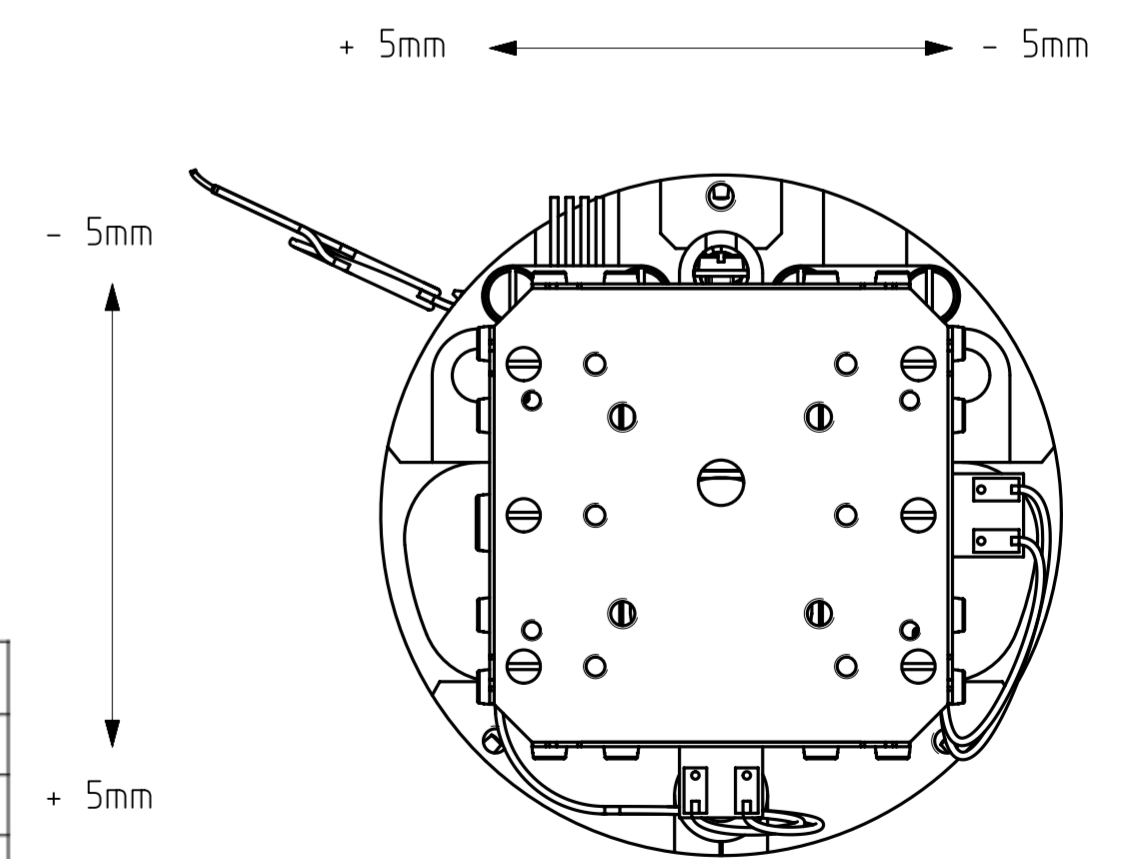
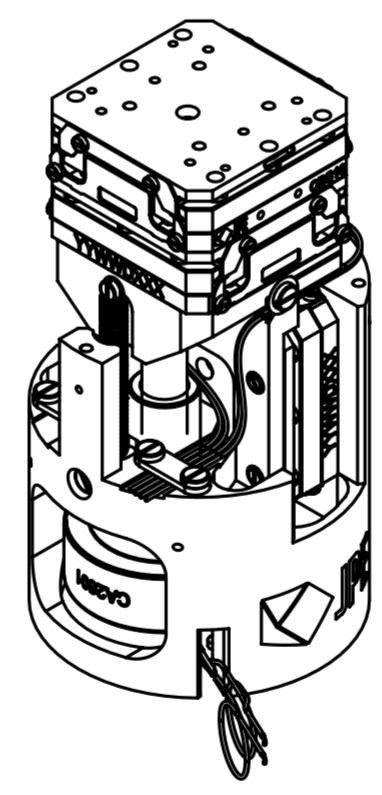


Mounting holes RF1 - RF3 for optional reference frame  
M2x6 ISO 4762  
(See interface drawing "Reference Frame")



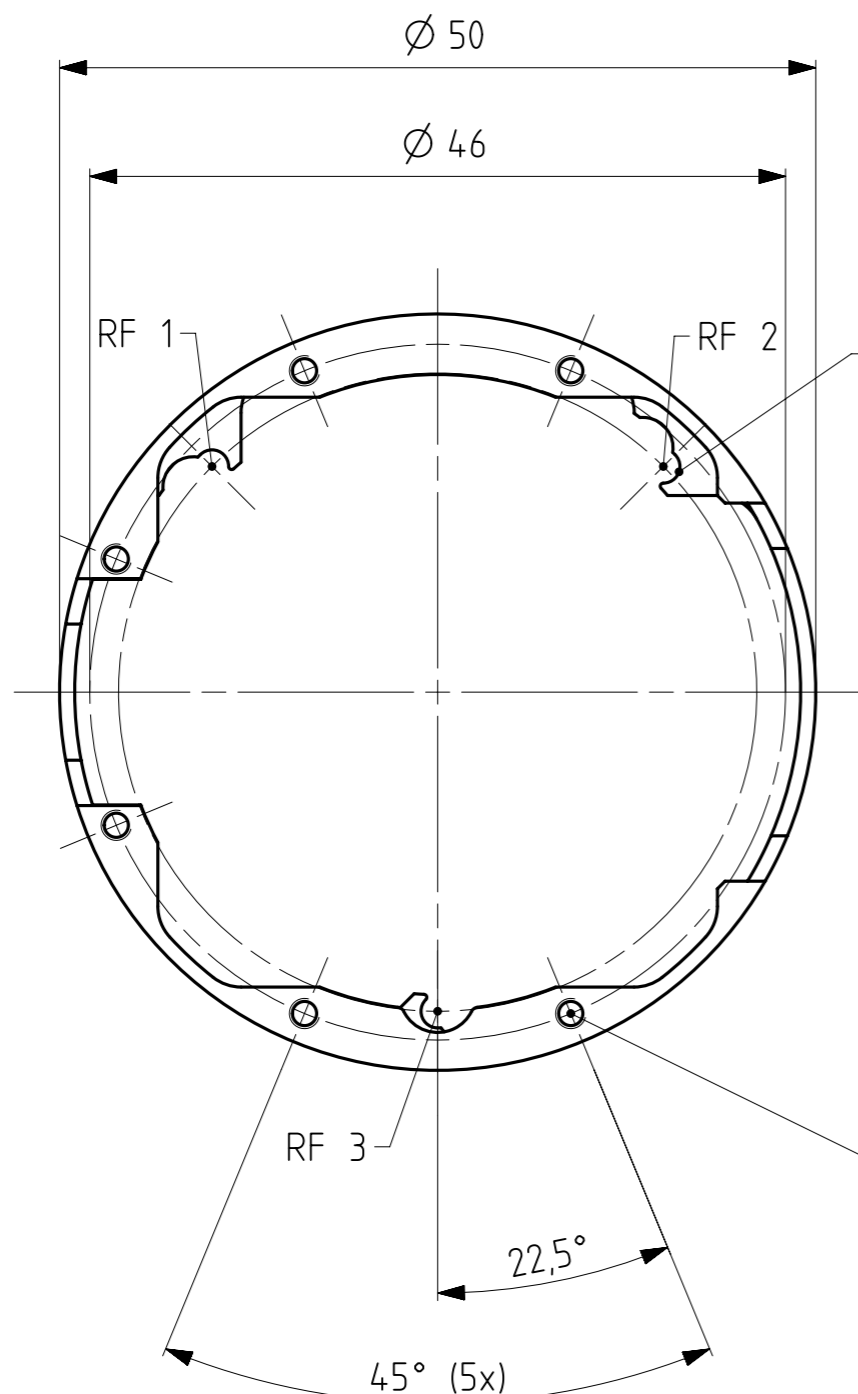
Max allowed torque on the sample table  
while fastening the screws is 0,2 Nm



Ranges		Available diameter in cryostat			
		No reference frame used		With reference frame	
		Ø45	Ø50	Ø53	Ø50
Z	Range [mm]	5 (+/- 2.5)			
	Scan range [µm]	0-8 at 300K, +/-1.6 at 4K *			
XY	Range [mm]	3 (+/- 1.5)	8 (+/- 4.0)	10 (+/- 5.0)	6 (+/- 3.0)
	Scan range [µm]	0-8 at 300K, 0-1.6 at 4K *			

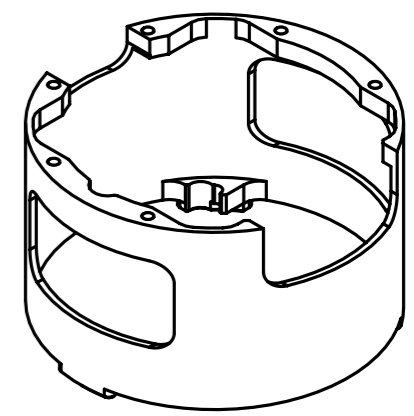
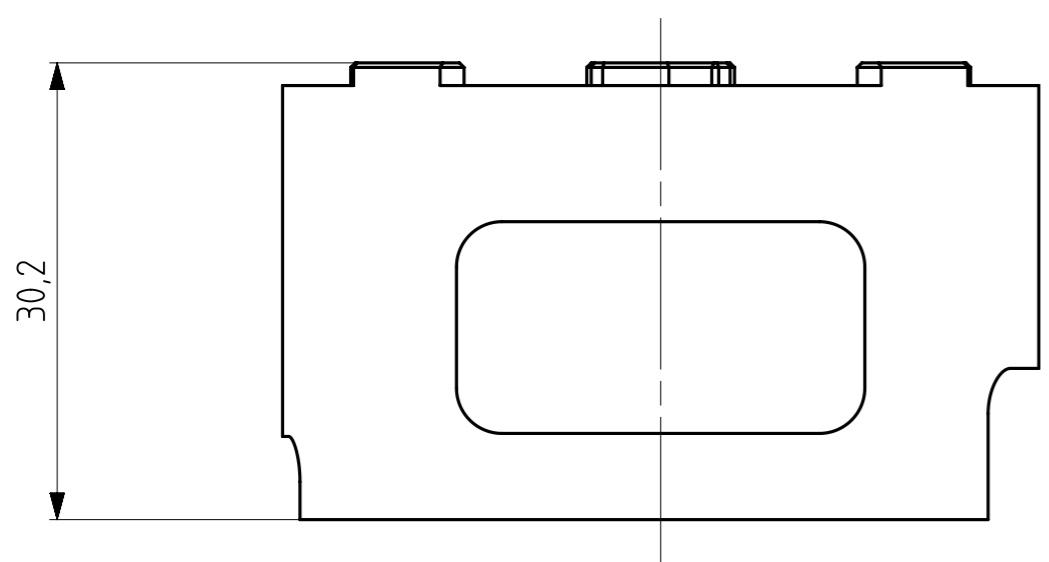
\* The 300K scan range is equivalent with 0-120V driving voltage. Bipolar operation with +/- 120V is allowed only at deep cryogenic temperatures. The PSM amplifier module advised for the z-scanner has this bipolar output. The CADM2 module for the xy scanning can only output positive voltages.

All rights reserved. Reproduction in whole or in part is prohibited without the written consent of the owner. Janssen Precision Engineering is not responsible for the accuracy, completeness, and timeliness of the information provided.



Mounting holes RF1 - RF3  
See interface drawing CS021

User interface mounting holes (6x)  
M2, Max 3 MM deep



SCALE 1:1

PROJ	SCALE	PART NAME	PART NUMBER
2019-FEB-25	2:1	I1-CS021	P181085
			A3 SHEET 1 OF 1

All rights are reserved. Reproduction in whole or in part is prohibited without the written consent of the copyright owner. JPE disclaims any liability with regard to the accuracy, completeness, and timeliness of the information provided.