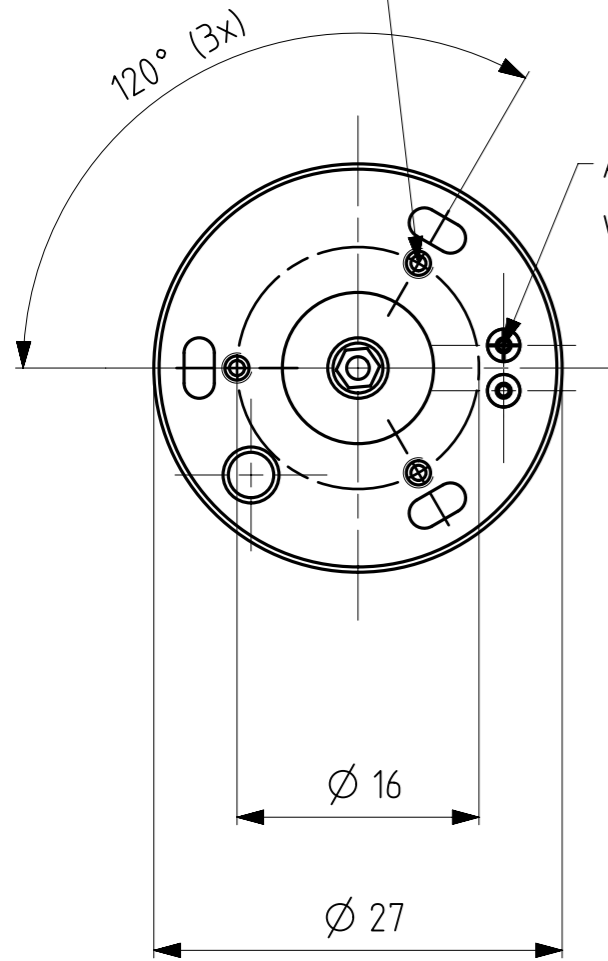
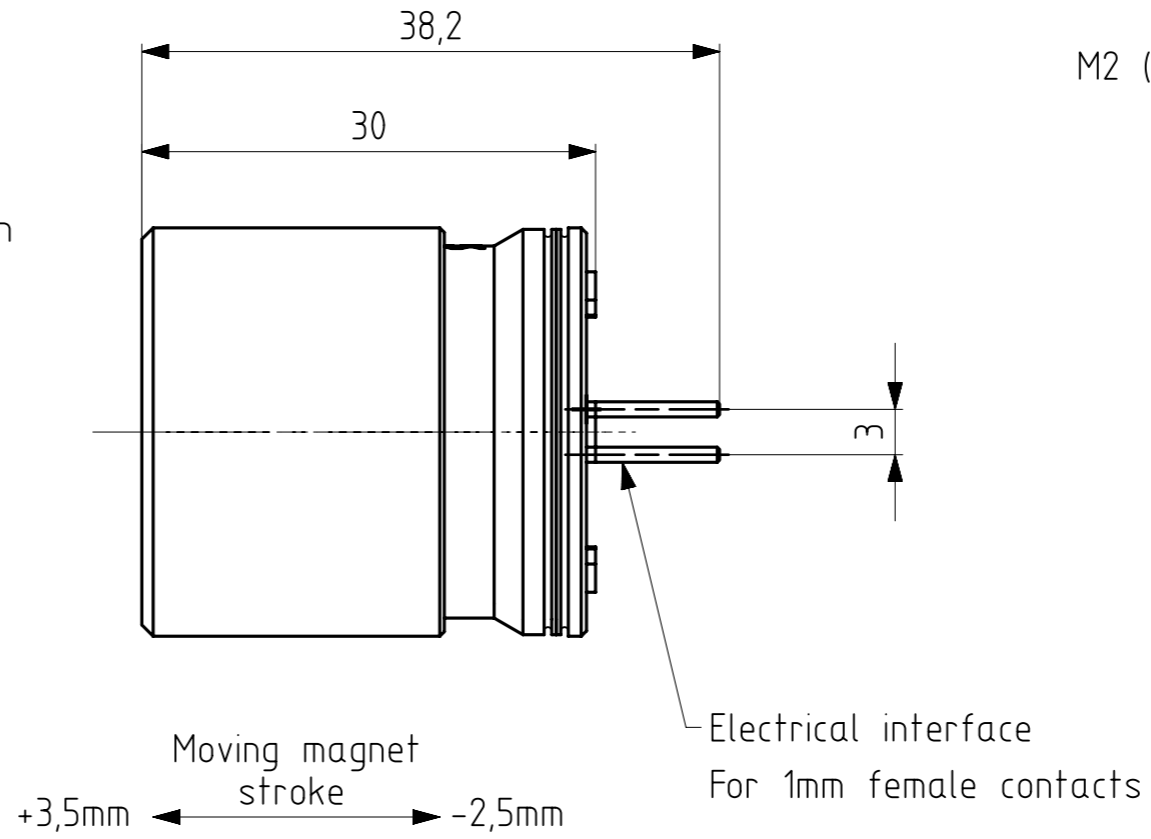


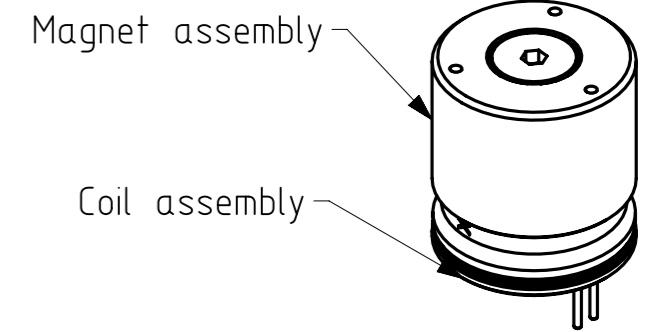
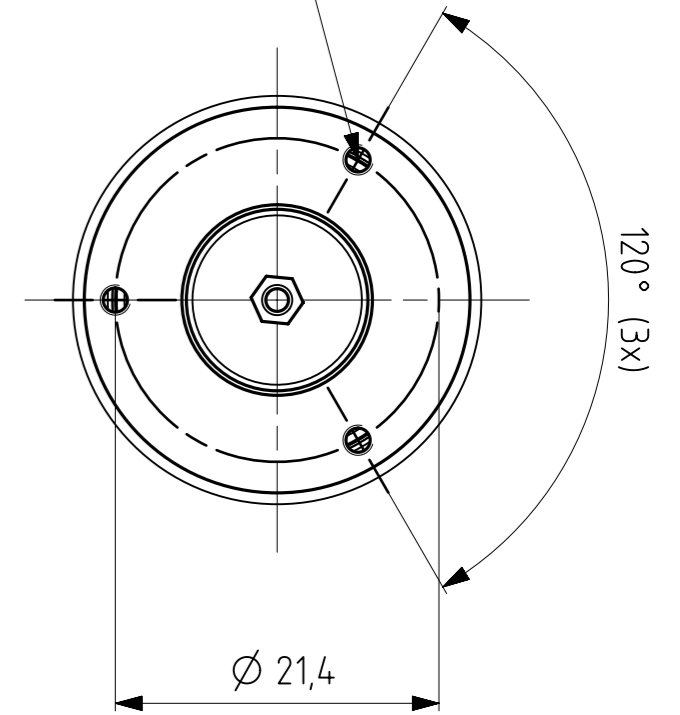
M2 (3x), 3,5 mm deep



A positive voltage on this pin will result in "+" motion



M2 (3x), 1,8mm deep



SCALE 1:1

PROJ 1st ANGLE 2021-FEB-23	SCALE 2:1 MM	PART NAME CVCA1 JPE Aziëlaan 12, 6199AG Maastricht-Airport NL	PART NUMBER A001493 A3 SHEET 1 OF 1
----------------------------------	--------------------	---	---

All rights are reserved. Reproduction in whole or in part is prohibited without the written consent of the copyright owner. JPE disclaims any liability with regard to the accuracy, completeness, and timeliness of the information provided.