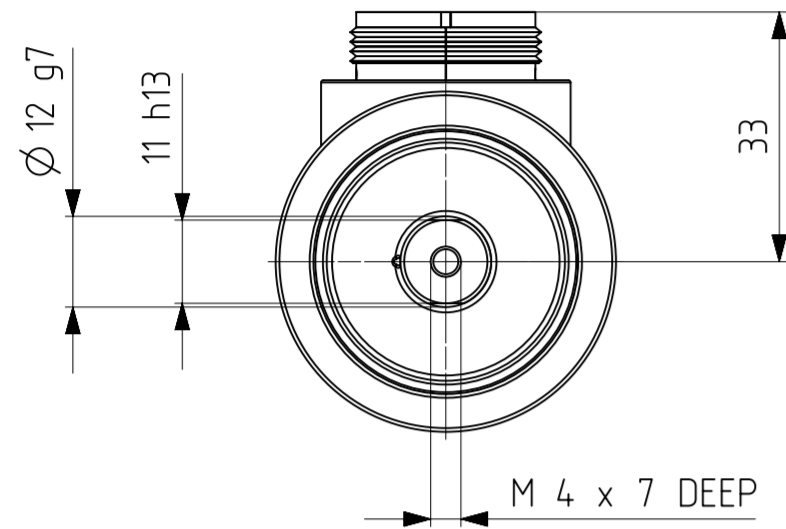
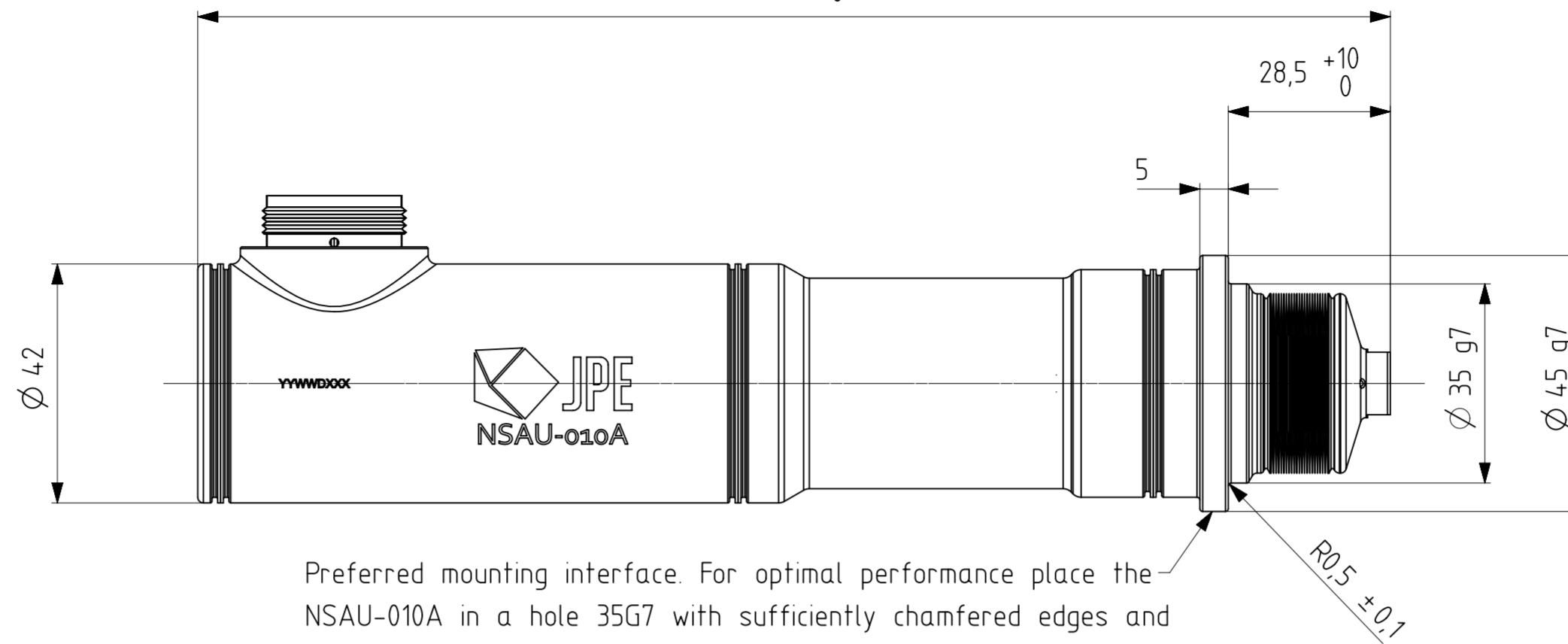


209,7  $\begin{smallmatrix} +10 \\ 0 \end{smallmatrix}$  Drawing displays a fully retracted NSAU-10A. See Note1

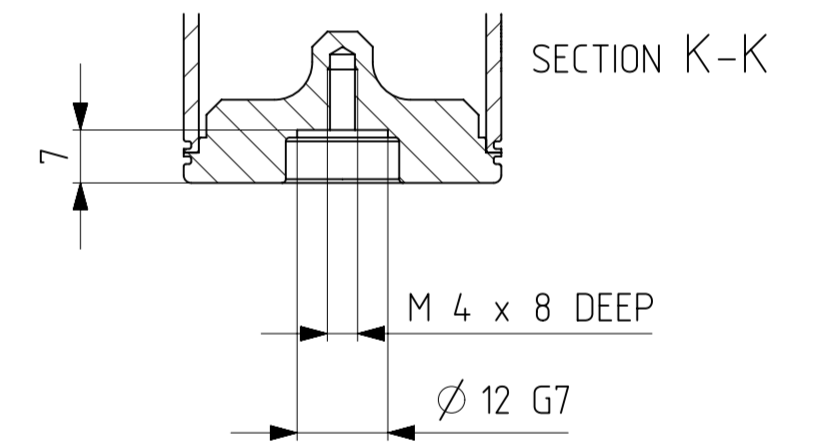
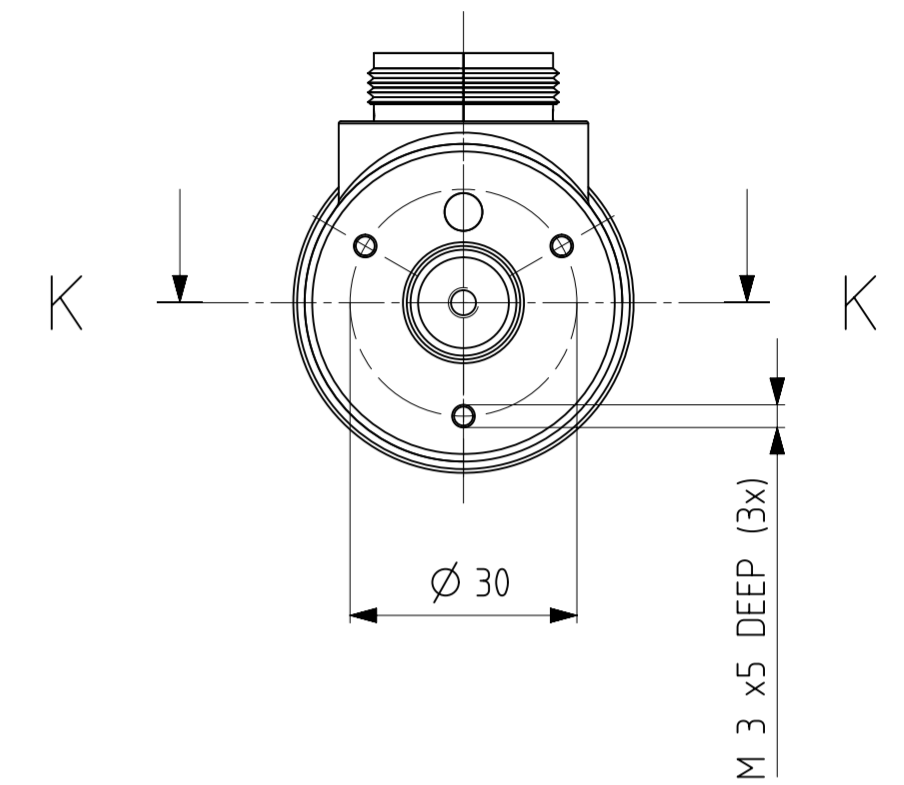


Avoid a torque load on the bellows during load attachment or operation

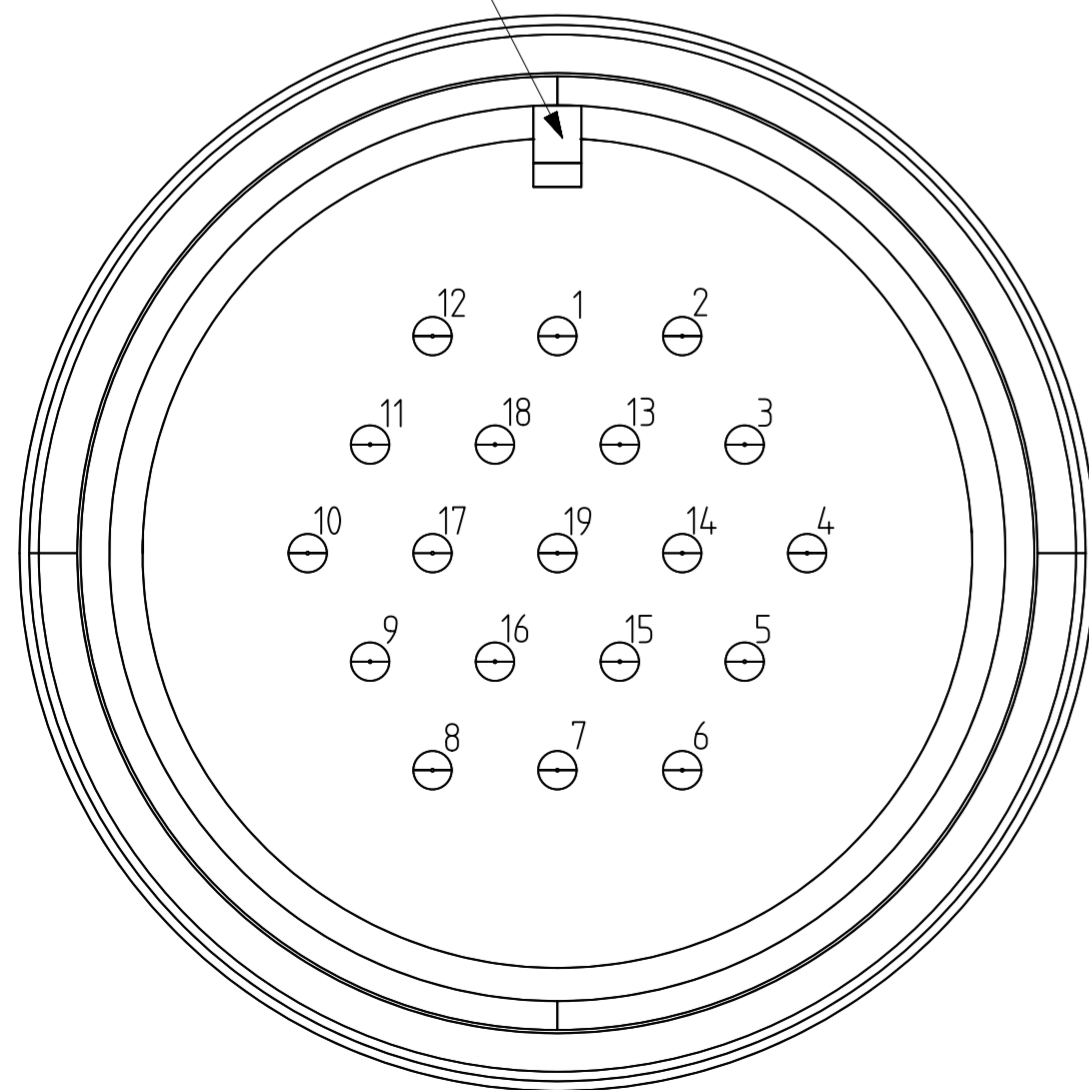


Preferred mounting interface. For optimal performance place the NSAU-010A in a hole 35G7 with sufficiently chamfered edges and preload the shoulder with an evenly distributed total axial force greater than 10 kN. For instance use 6 clamps on the circumference.

Alternative mounting interfaces  
 - 25% of load capacity allowed  
 - Reduced stiffness



Mating notch



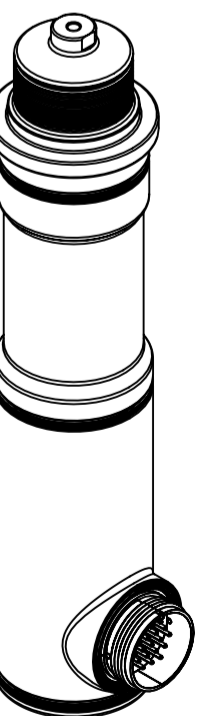
Viewed from vacuum side

NSAU-010A Connector: CERAMTEC 16003-02-W.	
Mating in-vacuum conector: CERAMTEC 16029-02-A	
STP = Stepper Motor, ABS = Absolute Encoder	
ESW = Endswitch, THE = Thermal Sensor	
PIN#	NSAU-010A
1	STP A RED
2	STP A- BLU
3	STP B GRN
4	STP B- BLK
5	ESW COMMON RED
6	ESW POS- BLK
7	ESW POS+ YEL
8	ABS SSI CLK+ GRN
9	ABS SSI CLK- YEL
10	THE+ RED
11	THE- BLU
12	ABS SSI DATA+ GRY
13	ABS SSI DATA- PNK
14	ABS 5 VDC BRN
15	ABS PRESET BLU
16	ABS DIR RED
17	ABS GND WHT
18	THE SENSE+ GRN
19	THE SENSE- BLK
Colors are for JPE internal use only	

Note 1: Machine Safety

- The NSAU-010A is delivered midstroke with the absolute encoder set to "0". A stroke of +/-5mm around this zero point is allowed.
- User should set software safety limits to +/- 5mm (+/-500 encoder rotations).
- Internal safety end switches will be activated when passing the specified range. User should immediately stop motion when these are activated to avoid unrepairable damage.
- User should immediately stop motion and power-off the NSAU-010A when the thermal sensor outputs 80 deg C or higher.

Download the NSAU User Manual for detailed information



SCALE 1:2

PROJ	SCALE	PART NAME	PART NUMBER
2016-04-28	1:1	NSAU-010A	001092
MM	JPE	Azielaan 12, 6199AG Maastricht-Airport NL	A2 SHEET 1 OF 1

All rights are reserved. Reproduction in whole or in part is prohibited without the written consent of the owner. JPE disclaims any liability with regard to the accuracy, completeness, and timeliness of the information provided.